



M3S 2



- Various options in total size and shape with pitch 18.75mm
- Auto address mode
- Capable of video signal output and simple installation with magnets and bolts.

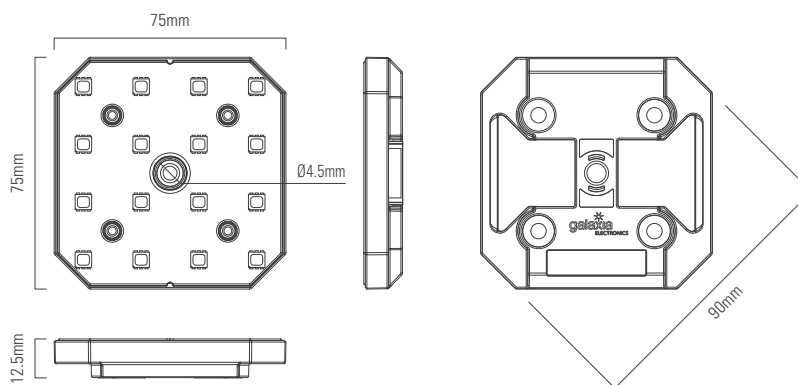
PRODUCT SPECIFICATIONS

Material	Plastic Body & Clear PC Cover	
Size (W×D×H)	75mm × 75mm × 12.5mm	
Weight	58g (0.12lbs) ± 5%	
Power Consumption	Max. 5W	Input Cable 20m (AWG18) / Jumper Cable 400mm (AWG18)
LED Source	3 in1 Full Color SMD LED × 16	
Pixel Pitch	18.75mm	
Brightness	38cd, 100 lm	
Beam Angle	110°	
Color Process	3 × 16 bit (Gamma Correction)	
Control	DMX512, Video Control	
Operating Voltage	24V DC	
Main Power Source	24V DC	
Addressing	Auto Address Setting	
Protection	Indoor	
Operating Temperature	0°C ~ 40°C (32°F ~ 104°F)	
Storage Temperature	-30°C ~ 70°C (-22°F ~ 158°F)	

SYSTEM SPECIFICATIONS

Main Input Cable	Max. 20m (AWG18 × 3C)	
Jumper Cable	Max. 120mm ~ 400mm	from SMPS
Maximum Connection	Max. 20 Fixtures (320W Power), Max. 40 Fixtures (600W Power)	

TECHNICAL DRAWING

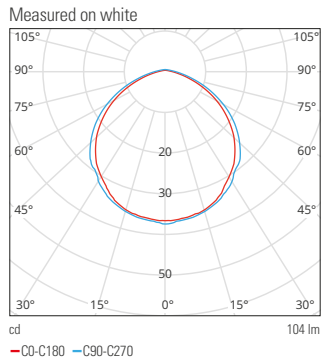


PHOTOMETRICS

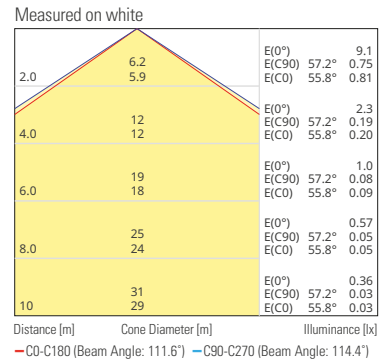
GP-05SFI-1
(M3S2_RGB_Clear Flat_Indoor_110D)

Color	White	Red	Green	Blue
Lumens	104			

Polar LDC



Illuminance at distance



SYSTEM BLOCK DIAGRAM DMX Control

